

Datasheet

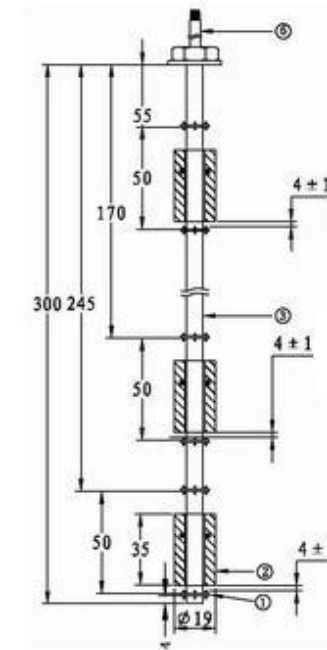
The water level sensor is an input to monitor the water level, when the water level in the tank higher than or lower than the related float ball, the sensor will trigger.

Apply to water level alarm and control systems, e.g.: tank level monitoring, oil tank level monitoring and river level monitoring and so on.

It can work with our GSM alarm systems.

The specification of the water level sensor is in the table.

(we will not supply the other size sample, but we can supply the other size according to the customers special requirements.)



Model	WL-04
Mainbody Material	Steel Material 304
Floating ball Material	PP
Contact	Dry Contact, OKI30-35 10W or HAMLIN25-30
Connection wire	UL1007 24AWG
Work Temperature	-20°C~80°C
Application	Water (If use for oil, the floating ball material should be NBR material)
Wiring Specification	White Color wire: Low Level Bule Color wire: Middle Level Red Color Wire: High Level Black Color Wire: Com
Normal Type	NC
Package	1.00KG