

Wi-Fi Dimmer Switch

User Manual & Warranty

1、Instruction

Wi-Fi switch is using Wi-Fi protocol to control the lights. No need to change the electrical appliances and traditional wirings if there is an existing Neutral Line, the old traditional switch can be replaced directly, to simply realize the function of APP remote control, timer, scene control etc as long as working with the wireless router. What's more, it works with Amazon Alexa, Google home assistant, Tmall Genie, Xiaomi, XiaoAi smart speakers for voice control the electrical appliances.

Please use a certified & Competent person to carry out any electrical work according to the user manual.

It is limited to use indoor, please turn off the power before installation and uninstallation, turn on the power after your installation and then add the devices into the APP.

2、Parameter

Operational voltage: 100V to 240V AC, 50Hz/60Hz

Rated current: Max 2A

Load type: Dimmer switch-Less than 350W
for dimmable lamp
Speed regulator-less than 350W
for adjustable speed load

Materials: Tempered glass panel and fireproof PC

Environment: Working temperature: 0 to 40 degrees
Relative humidity: less than 95%

Wireless standard: Wi-Fi IEEE802.11b/g/n 2.4Ghz

Security system: WPA-PSK /WPA2-PSK

5、Reset & Switching network configuration mode

(1)Instruction of LED indicator

Wi-Fi indicator	Device status
Blue indicator fast blinking	Fast linking mode, the device is waiting for connecting the network
Blue indicator blinking slowly	AP mode, the device is waiting for connecting the network
Blue indicator is ON	Network disconnected
Blue indicator is OFF	Network connected

(2)Reset of Wi-Fi switch

If the Wi-Fi indicator is on or off, press any button 5 times, and press the 6th time and hold your pressing for 5 seconds, release your finger until you hear 'Di-Di-Di', Reset is successfully.

(3)Switching operation of network configuration between fast blinking (fast linking mode) and slow blinking (AP mode),
press any button 5 times, and press the 6th time and hold your pressing for 5 seconds, release your finger until you hear 'Di-Di-Di', Switching successfully, the Wi-Fi indicator will change after a few seconds. Switch the mode of Fast linking and AP by above operation.

3、Download APP

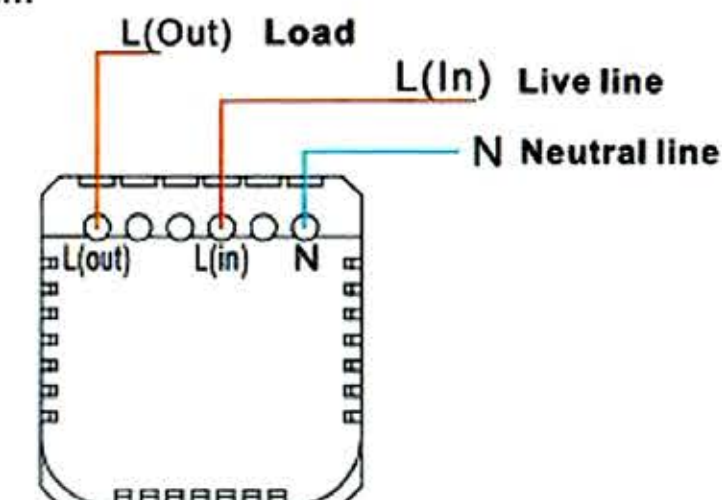
Search 'Smart Life' in the application store or scan the QR code below, you can register and download via mobile number or email ID after download the APP. QQ or Wechat account is also available for login



4、Installation

Turn off the power, installation as follows.

(1)Wiring diagram



6、Add device

1.Connecting your mobile with the desired Wi-Fi network

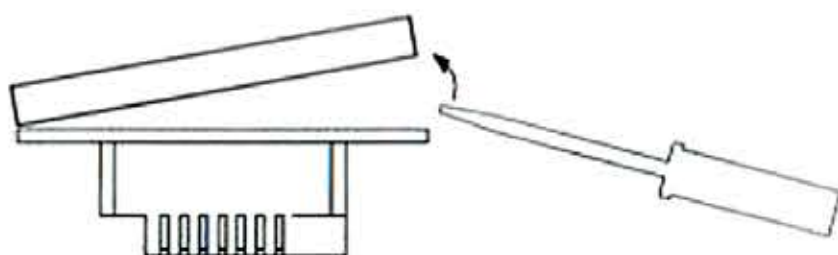
Open the APP, finish registration and login



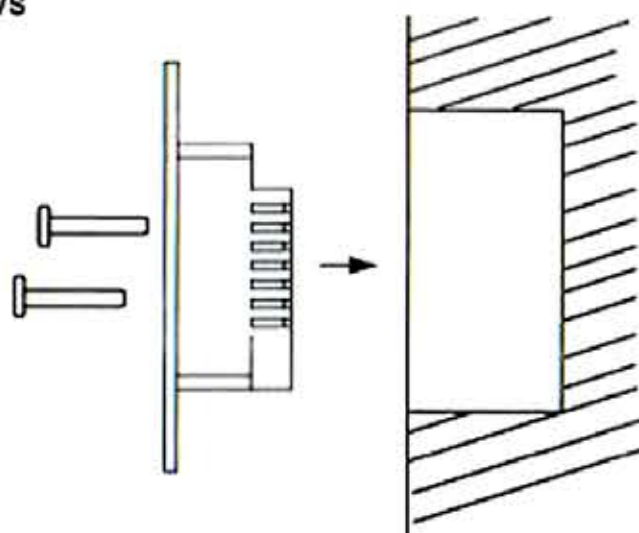
Note: The APP will upgrade aperiodically , this user manual is only for reference

Click the button to add the device or click the '+' at the top right corner

(2)Using screwdriver to open the glass panel



(3)Put the switch into the installation box and fix two screws



(4)Cover the glass panel and finish the installation

(5)Turn on the power

2. Enter the interface below



Click 'Wall Switch'

3. Confirm the Wi-Fi indicator rapidly blink



Click the button of 'Confirm indicator rapidly blink'

(3) Enter the Wi-Fi password and click 'Confirm'



Enter Password

(4) Click 'To connect', the device name is Smartlife_XXXX
 (5) Find the device and click 'To connect', return back after connecting successfully



Click 'To connect'

4. Enter the Wi-Fi password and click 'Confirm'



Enter Password

5. Waiting patiently, the device is connecting the network



Connecting successfully when it shows 100%

(6) Waiting patiently, the device is connecting the network.
 (7) Add the device successfully, you can edit the name of the device and belonged area, click 'Complete' to add device
 (8) Choose the desired device and follow the instruction of the APP

8. Warranty terms

After-sale service is strictly according with the <Law of the People's Republic of China on Protection of Consumer Rights and Interests>

And <Product quality Law of the People's Republic of China >, the details are as below:

- (1) Within 7 days after purchase, in the event the product performance is not in 100% according to the <Product Performance Fault List>, after inspected and confirmed by our after-sale department, we will replace the new device for free or return the fund
- (2) Within 8 to 15 days since you receive the device, if any fault happens according to the <Product Performance Fault List>, we will replace the new device or maintenance for free
- (3) Within 12 months since you receive the device, if any fault happens according to the <Product Performance Fault List>, we will repair the device for free

6. Add the device successfully, you can edit the name of the device and belonged area, click 'Complete' to add device, choose the desired device and follow the instruction of the APP



7. AP mode

(you can choose AP mode if fast linking mode is failed)



(1) Click 'AP mode' at the top right corner
 (2) Make sure the Wi-Fi indicator blinks slowly

Click 'Confirm indicator slowly blink'

Name	Performance faults
Wi-Fi touch switch	(1) Surface scratch because of the structure or materials (2) Indicator failure (3) Button failure (4) Control function failure

9. Non-Warranty Regulations

- (1) Unauthorized maintenance, misuse, crash, negligence liquid inlet, accident, alteration, misuse accessories, tear up or obliterate the label, anti-fake mark.
- (2) Exceed the warranty period
- (3) Damage caused by Force Majeure factor
- (4) Not covered by <Product Performance Fault List>
- (5) Faults caused by human behavior